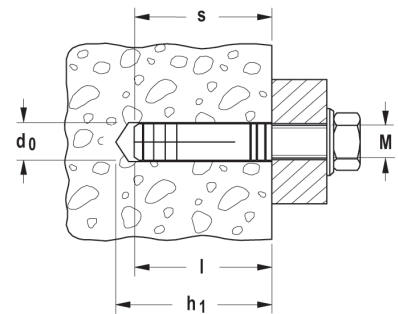


### TECHNICAL DATA



Brass fixing **MS** for metric screws



Item	Art.-No.	Drill hole diameter	Min. drill hole depth	Anchor length	Internal thread	Min. bolt penetration	Sales unit	
		$d_0$ [mm]	$h_1$ [mm]	$l$ [mm]	A1	$l_{E,min}$ [mm]	[pcs]	
<b>MS 4 x 15</b>	<b>026424</b>	5	20	15	M 4	15	100	
<b>MS 5 x 18</b>	<b>026425</b>	6	25	18	M 5	18	100	
<b>MS 6 x 22</b>	<b>078660</b>	8	27	22	M 6	22	100	
<b>MS 8 x 28</b>	<b>078981</b>	10	35	28	M 8	28	50	
<b>MS 10 x 32</b>	<b>078661</b>	12	39	32	M 10	32	25	
<b>MS 12 x 37</b>	<b>078662</b>	15	46	37	M 12	37	10	
<b>MS 16 x 43</b>	<b>078663</b>	20	50	43	M 16	43	10	

### LOADS

#### Brass fixing MS

Highest recommended loads<sup>1)</sup> for a single anchor.

The given loads are valid for metric screws with the specified thread size.

Type		MS 4 x 15	MS 5 x 18	MS 6 x 22	MS 8 x 28	MS 10 x 32	MS 12 x 37	MS 16 x 43
Thread size	[M]	M4	M5	M6	M8	M10	M12	M16
<b>Recommended loads in the respective base material <math>F_{rec}</math><sup>2)</sup></b>								
Concrete	$\geq C20/25$ [kN]	0,25	0,40	0,65	1,10	1,60	2,20	3,30
Solid brick	[kN]	0,20	0,35	0,55	0,90	1,30	1,60	2,30

<sup>1)</sup> Required safety factors are considered.

<sup>2)</sup> Valid for tensile load, shear load and oblique load under any angle.